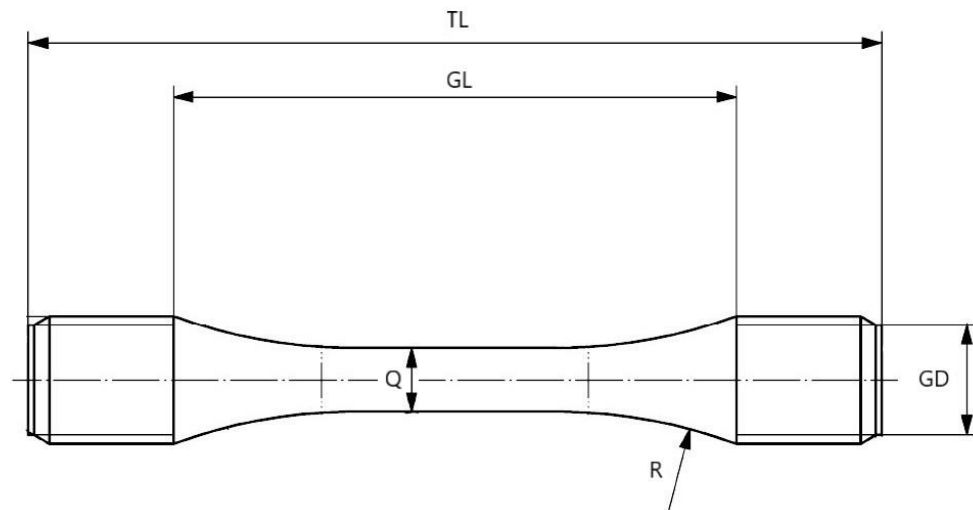


**Longitudinal Polisher GR04 ver. SCS**  
*(Cylindrical Specimen Type B)*



Longitudinal Polisher GR04 ver. SCS (Standard Cylindrical Specimen)	Range of specimen size in mm									
	TL		GL		Q		GD		R	
B	min.	60	min.	30	min.	4	min.	8	min.	6
	max.	200	max.	180	max.	12	max.	20	max.	150

*TL - Total length*

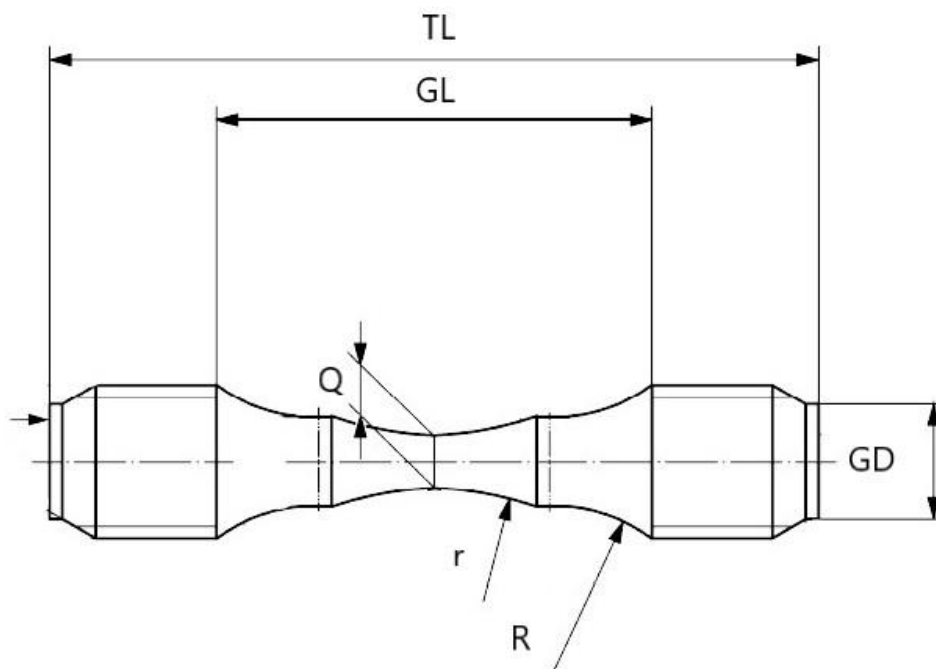
*GL - Gauge length*

*Q - Specimen diameter*

*GD - Grip diameter*

*R - Radius of curvature*

**Longitudinal Polisher GR04 ver. SCS**  
*(Cylindrical Specimen Type A)*



Longitudinal Polisher GR04 ver. SCS (Standard Cylindrical Specimen)	Range of specimen size in mm										
	TYPE OF SPECIMEN		TL		GL		Q		GD		R/r
A	min.	60	min.	30	min.	4	min.	8	min.	6	
	max.	200	max.	180	max.	12	max.	20	max.	150	

*TL - Total length*

*GL - Gauge length*

*Q - Specimen diameter*

*GD - Grip diameter*

*R/r - Radius of curvature*