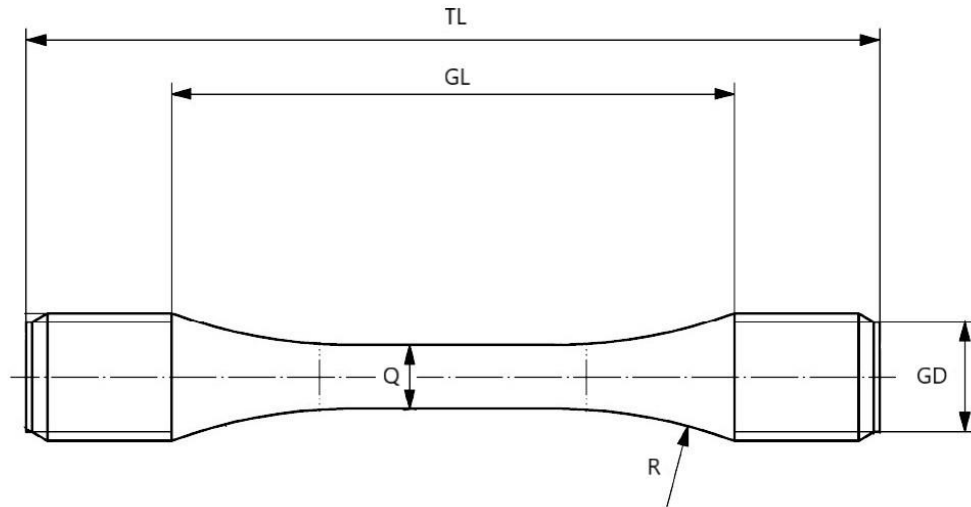


**Automatic Longitudinal Polishing System
GR04 ver. ELCS
(Cylindrical Specimen Type B)**



**Automatic Longitudinal Polishing
System GR04 ver. ELCS
(Extremely Large Cylindrical Specimen)**

Range of specimen size in mm

TYPE OF SPECIMEN	TL		GL		Q		GD		R	
	B	min.	200	min.	30	min.	12	min.	12	min.
	max.	300	max.	280	max.	25	max.	35	max.	150

TL - Total length

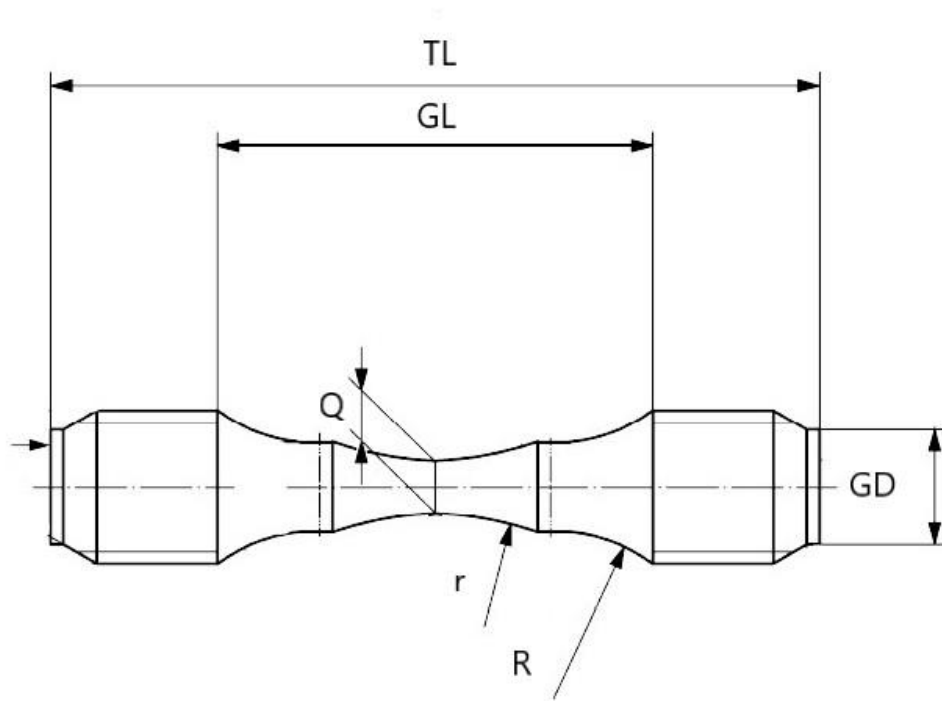
GL - Gauge length

Q - Specimen diameter

GD - Grip diameter

R - Radius of curvature

**Automatic Longitudinal Polishing System
GR04 ver. ELCS
(Cylindrical Specimen Type A)**



**Automatic Longitudinal Polishing
System GR04 ver. ELCS
(Extremely Large Cylindrical Specimen)**

Range of specimen size in mm

TYPE OF SPECIMEN	TL		GL		Q		GD		R/r	
	A	min.	200	min.	30	min.	12	min.	12	min.
	max.	300	max.	280	max.	25	max.	35	max.	150

TL - Total length

GL - Gauge length

Q - Specimen diameter

GD - Grip diameter

R/r - Radius of curvature