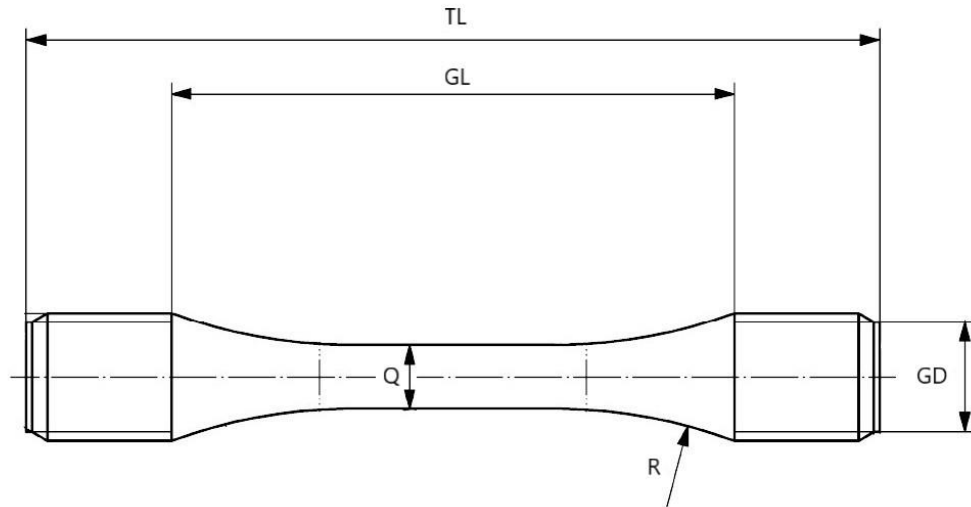


**Automatic Longitudinal Polishing System
GR04 ver. ESCS
(Cylindrical Specimen Type B)**



**Automatic Longitudinal Polishing
System GR04 ver. ESCS
(Extremely Small Cylindrical Specimen)**

Range of specimen size in mm

TYPE OF SPECIMEN	TL		GL		Q		GD		R	
	B	min.	20	min.	5	min.	1	min.	4	min.
	max.	60	max.	50	max.	4	max.	8	max.	150

TL - Total length

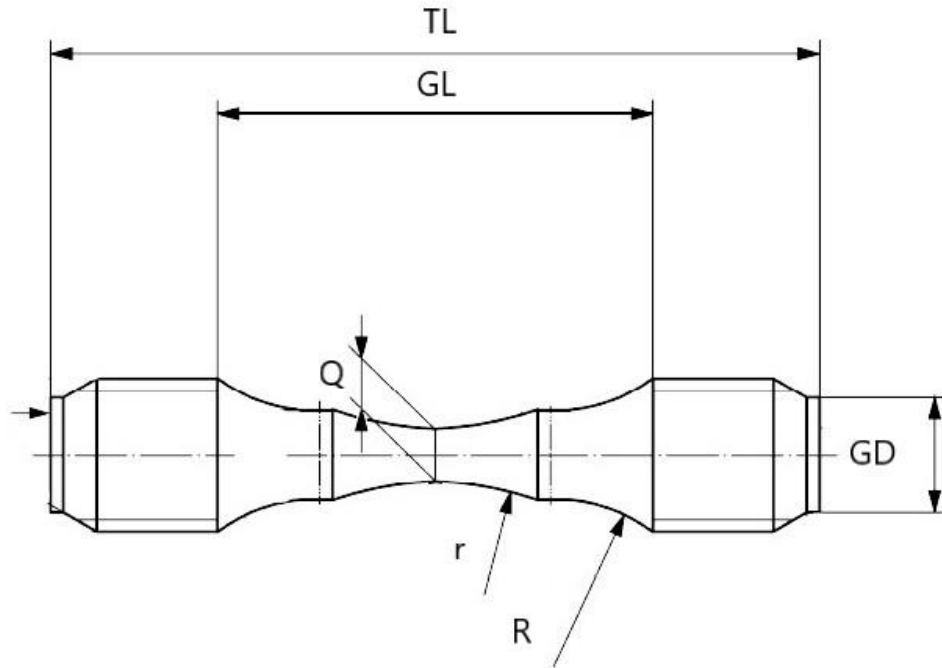
GL - Gauge length

Q - Specimen diameter

GD - Grip diameter

R - Radius of curvature

**Automatic Longitudinal Polishing System
GR04 ver. ESCS
(Cylindrical Specimen Type A)**



**Automatic Longitudinal Polishing
System GR04 ver. ESCS
(Extremely Small Cylindrical Specimen)**

Range of specimen size in mm

TYPE OF SPECIMEN	TL		GL		Q		GD		R/r	
	A	min.	20	min.	5	min.	1	min.	4	min.
	max.	60	max.	50	max.	4	max.	8	max.	150

TL - Total length

GL - Gauge length

Q - Specimen diameter

GD - Grip diameter

R/r - Radius of curvature